

Thank you for purchasing our equipment. Please read this manual carefully and heed the safety warnings and instructions before installing, using or repairing the equipment. This will ensure not only the protection of persons, but also the long life of the equipment.

## TECHNICAL PARAMETERS

<b>Power input</b>	5W
<b>Luminous flux</b>	400lm
<b>Chromaticity</b>	3000K
<b>Number of lighting modes</b>	2
<b>Detection distance</b>	7m
<b>Sensor detection angle</b>	120°
<b>Solar panel battery charging time</b>	about 8h
<b>Net luminous time</b>	Min. 1 hour (e.g. 120 switches with 30sec illumination)
<b>Batteries</b>	Li-Ion 3,7V 2000mAh
<b>Solar panel</b>	1.9W, 5V
<b>Dimensions</b>	12 x 11.4 x 50 cm
<b>Degree of coverage</b>	IP54

## INSTALLATION

- Select the appropriate installation of the device according to the surface:
  - When installing in concrete, drill the pad into the desired location. Then install the luminaire body onto the pad.
  - When installing into the dirt, insert the pins into the pad and drive it into the desired location. Then place the body of the luminaire on the pad..
- Select the lighting mode and attach the lamp to the body.
- In case of insufficient sunlight, the device can be charged using a USB-C cable (not included).

## LIGHT MODE SETTING

### MODE I -VVP. +Motion sensor

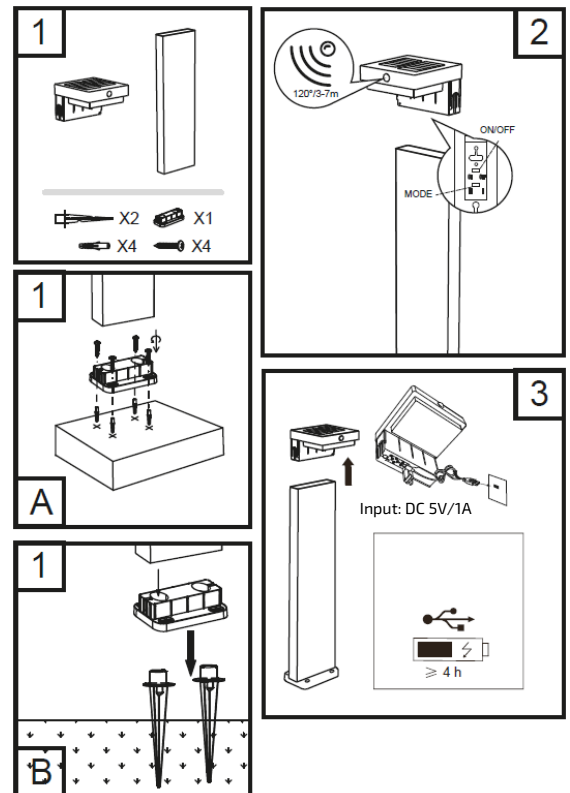


- Set the first switch to mode **I** and the second switch to **OFF**. The device will light up at 100% power for 30 seconds only if it detects motion.

### MODE II - AUTO ON. (≤50lux)



- Set the first switch to mode **II** and the second switch to **ON**. The device will light continuously at approximately 10% power and will light up to 100% when detected.

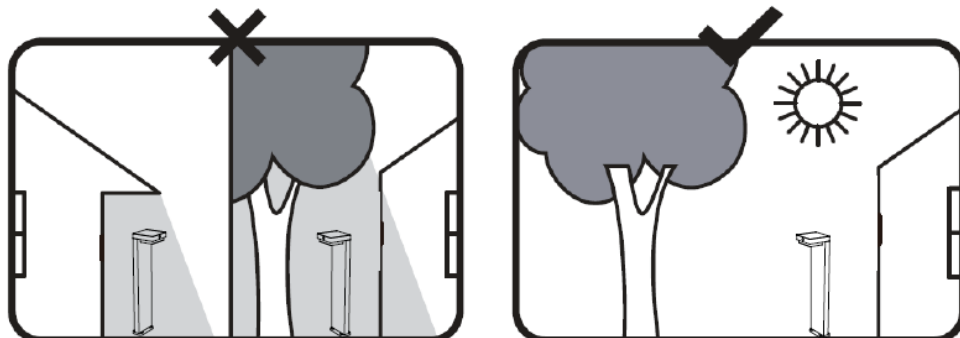


## CHARGING THE DEVICE

- The device is continuously recharged by a built-in solar panel. In case the light time is not enough for you, you can connect a powerbank using a USB-C cable or recharge the device regularly.

## INSTALLATION LOCATION

- Position the device so that the solar panel is not blocked by any obstruction. This will significantly increase the light output. When selecting the location, take into account the maximum detection distance of 7m and the sensor detection angle of 120°.



The light source of this luminaire is non-replaceable, at the end of its service life the entire luminaire must be replaced and disposed of in a designated place. This product contains a light source which, for design reasons, cannot be removed for verification and therefore the entire product is considered a light source

The product has been issued with a CE declaration of conformity in accordance with the applicable regulations.

On request from the manufacturer: [info@solight.cz](mailto:info@solight.cz), or downloadable from [www.solight.cz/en](http://www.solight.cz/en).



**SOLIGHT**

Solight Holding, s.r.o., Na Brně 1972, Hradec Králové 500 06, Czech Republic.